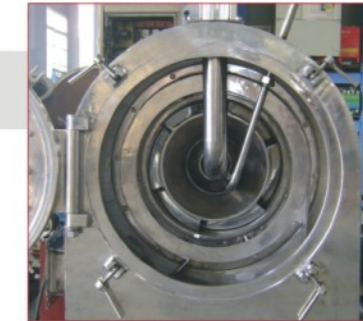


系列卧式螺旋/筛网式过滤离心机

LWL Screen Filtration Centrifuge



LWL系列卧式螺旋/筛网式过滤离心机
LWL Series Horizontal Spiral Screen Filtration Centrifuge

结构与工作原理

LWL系列卧式螺旋筛网离心机是在全速运转下，连续地对悬浮液进行进料，脱水、洗涤、卸料等各项工艺操作的机器。机器运行时，首先接通电源，主机启动并自动升速，当达到预定值时，进料阀打开，被分离物料(悬浮液)沿加料管连续进入，经螺旋轮小端壁上的若干进料孔分散到转鼓壁，在离心力的作用下，悬浮液中的液相通过滤网和转鼓壁上的孔被甩出，并经机壳的滤液出口排出机外，固相则截留在滤网上，形成薄薄的滤渣层。在离心力场中，由于滤渣有一个沿着转鼓母线指向大端的离心分力，再加螺旋叶转动时产生指向大端的推力，这两个力将滤渣不断地从转鼓小端被推向大端，滤渣在推移中不断地被螺旋叶翻动，从而大大强化了分离过程。被推出转鼓大端的滤渣经机壳排渣口排出机外，实现了固液分离。

LWL系列螺旋/筛网式离心机已成功应用于 LWL Series Spiral Screen Filtration Centrifuge has been successfully used in the following

己二酸adipic acid	硫代硫酸铵ammonium thiosulphate	赛璐珞羊毛细纤维celluloid wool	果核Date stones	菌丝hypha
芒硝salt cake	离子交换树脂Ion Exchange Resin	氨基环磷酸盐Naphionate	聚苯乙烯醇Polyvinylalcohol	一铬酸钾Potassium Monochromate
砒唑pyrazolene	氯化钠sodium chloride	硝酸钠Sodium Nitre	大苏打Sodium Thiosulphate	塑料颗粒Plastic granules
AH-盐AH-salt	萘Anthracene	纤维素羊毛cellulose wool	硫酸铜Copper Sulphate	冰醋酸Glacial Acetic Acid
金属渣greaves	七水硫酸铁iron sulphate hepta hydrate	胡桃碎粒broken walnut	钾碱(碳酸钾)Potash	氯化钾Potassium Chloride
岩盐rock salt	氯酸钠sodium chlorate	过硼酸钠sodium perborate	酒石酸Tarteric Acid	耐热有机玻璃颗粒 Plexig lass Beads
氨基酪氨酸aminoacetic acid	阿司匹林aspirin	巧克力碎块chocolates(broken)	结晶苏打Crystal Soda	磷酸二钠Disodium Phosphate
火药gun powder	乳糖Lactose	尼龙切片nylon chips	钾矾Potash Alum	聚氯乙烯PVC
再生橡胶regenerated rubber	硫酸钠sodium formate	柠檬酸citric acid	硫酸锡Tin Sulphate	二硝基二苯胺DinitroMethylanilin
过硫酸铵ammonium persulphate	双酚bisphenol	草酸oxalic acid	对邻苯二甲酸二甲酯DinitroMethylanilin	钾溶液残余物Potash Solvent Residue
石膏gypsum	硫酸锰manganese sulphate	磷酸三钠Trisodium	从甲醇中提取DMT	碳酸氢钾Potassium Bicarbonate
硝酸银silver nitrate	葡萄糖酸钠sodium gluconate	冷冻浓缩咖啡condensed frozen coffee	DMT from Methanol	硫酸锌Zinc Sulphate
磷酸铵ammonium phosphate	硼砂borax	聚甲基丙烯酸酯polymethylacrylate	亚硫酸钠Sodium Sulphite	精切洋葱片Finely chopped onions
马洛托品urotropin	甲酸钠sodium formate	咖啡碎块coffee broken kernel	重铬酸钾Potassium Dichromate	重铬酸钾Potassium Dichromate
醋酸钠sodium acetate	偏硼酸钠sodium metaborate	聚苯乙烯Polystyrene	季戊四醇Pentaerythritol	季戊四醇Pentaerythritol
硫酸铵ammonium sulphate	甲酸钠sodium formate	四硼酸钠Sodium tetraborate		
二氯甲制的酒花hops from dichloro methaRe	磷酸一钠Monosodium phosphate			
碳酸钠sodium carbonate	硝酸钠Sodium Nitrate			

性能与用途

LWL系列螺旋/筛网式离心机是卧式，连续工作，螺旋连续卸料的过滤式离心机。主要用于固相粒径为0.05-10mm范围内的液固二相悬浮液的分离和脱水。应用于化工，食品，化纤，矿冶，制药和轻工等行业。

Properties and Uses

LWL Screen Filtration Centrifuge is a horizontal with the function of continuous working, continuous spiral discharging. It is mainly used for separating and dehydrating suspension with solid-phase grains ranging from 0.05 to 10mm. It is applied in chemical, foodstuff, chemical fiber, mining and metal melting, pharmacy and light industry.

主要特点

连续运转，螺旋卸料，生产能力大。
固相脱水率高，洗涤效果好，分离效率高。
结构紧凑，操作维修方便。

Main Characteristics

Continuous operation, spiral discharging and large capacity.
High dehydration rate of solid phase, good washing effect and high efficiency.
Tight structure and convenient operation and maintenance.

Structure and Working Principle

Operations such as feeding, dehydrating, washing and discharging etc. can all be processed continuously by LWL centrifuge on its full speed. Host machine starts with power on and speeds up automatically. Open the feeding valve when predetermined condition is met. Products to be separated enters into centrifuge along pipeline and is distributed onto drum wall through feeding holes on the smaller end of spiral wheel. Under the effect of centrifugal force, liquid phase in suspension will be thrown out through screen and holes on drum wall and discharged from centrifuge, while solid phase remains in the screen to form a thin filter residue. In the centrifugal force field, filter residue is gradually pushed from small end of the drum to big end by two forces: one component of forces points to the big end paralleled with the drum generatrix, the other is the thrust force toward the big end by spiral bar's motion. Filter residue is turned constantly by spiral bar to enhance separating effect. Filter residue pushed out of the big end is finally discharged from residue outlet, thus solid-liquid separation is finished.

LWL系列螺旋/筛网离心机可特殊设计的旋转部件

LWL系列螺旋/筛网离心机可以是圆桶形或圆锥形，具有不同程度的螺旋确定出料速度及滤饼在筛网上滞留时间，该角度由生产厂家根据工艺要求来确定。

LWL spiral parts can be specially designed

LWL Screen Filtration Centrifuge can be bucket or cone shaped. Discharging speed and the time of filter cake staying on screen mesh are predetermined spiral can be of different angles for determining different discharging speed and time of filter cake staying on screen mesh, which is in accordance with customer's process requirements.



材质选择

离心机接触物料部分的材质可根据用户使用物料的要求选用奥氏体不锈钢(321, 316L...), 哈氏合金, 钛合金或其他耐腐蚀材料。

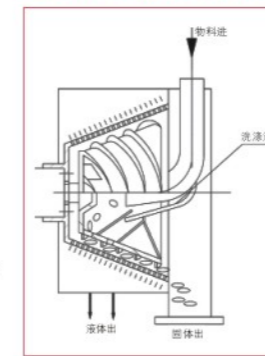
Material Choice

According to users' requirement, the products contact parts can be made of austenite stainless steel(321, 316L...), Haynes alloy, titanic alloy or other anti-erosion materials.

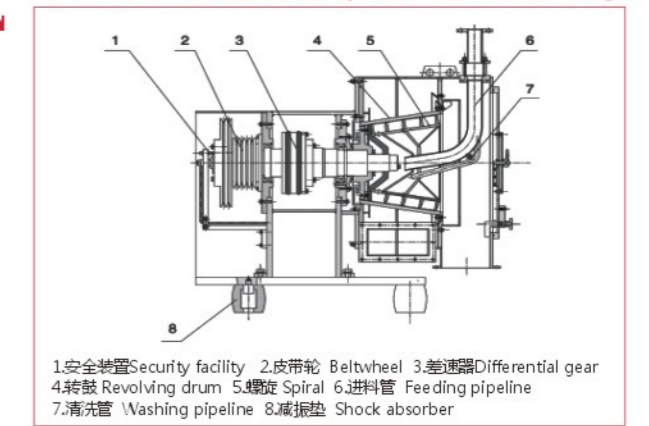
特殊配置

- 可根据客户的要求提供以下配置:
- 1.变频+PLC控制
- 2.振动，主轴轴承温升监测保护系统
- 3.进料速度控制
- 4.排液口气液分离装置
- 5.用户的其他配置要求

LWL系列螺旋筛网离心机工作示意图



LWL系列螺旋/筛网离心机结构示意图



1.安全装置Security facility 2.皮带轮 Beltwheel 3.差速器Differential gear 4.转鼓 Revolving drum 5.螺旋 Spiral 6.进料管 Feeding pipeline 7.清洗管 Washing pipeline 8.减振垫 Shock absorber

该机主要由转鼓、螺旋轮、差速器、机座、机壳、油泵、电机等组成。所有的部件及驱动电机都安装在机座上，并具有与支撑结构紧密连接的橡皮支脚。
It is mainly consisted of drum, spiral wheel, differential gear, machine base, housing, oil pump and motor etc. All of components and drive motor are installed onto machine base which is equipped with rubber bracket connected tightly with supporting structure.

型号及主要技术参数 Model and Main Parameters

项目Item	型号Model	LWL-200x160	LWL-320x198	LWL-350x300	LWL-450x300	LWL-530x350	LWL-630x465	LWL-750x790	LWL-800x500	LWL-1000x650
转鼓直径 Drum diameter(mm)		200	320	350	450	530	630	750	800	1000
转鼓长度 Drum Length (mm)		160	198	300	300/360	350	465	790	500	650
最高转速 Max Speed (r/min)		4000	3000	3000	2600	2000	1850	2100	1500	1000
最大分离因素 Maximum separating factor		1790	1609	1762	1702	1185	1205	1848	1008	560
转鼓与推料差速 Speed difference between drum and spiral		18	26	30	30	23	24	23	24	24
电机功率 Motor power (Kw)		3	7.5	15	22	30	37	75	75	90
外形尺寸Size (mm)		940x800x900	1225x1115x1040	1550x1269x1325	1570x1450x1400	1720x1700x1581	1810x1880x1720	2610x2115x2000	2700x2100x1700	3000x2170x2100
机器重量 Weight(Kg)		250	720	1450	1600	2800	3800	6500	6000	7600
处理能力 Processing capability(m³/h)		0.5-1.5	1.5-6	3-15	3-18	6-20	4-30	15-50	8-30	15-50

随着科技的进步，我们保留更改的权利 All right is reserved for amendment with improvement of technology