

SX

系列三足式下部卸料离心机

SX Three-point Suspension Centrifuge



SX系列三足式下部卸料离心机
SX Three-foot Lower Discharge Centrifuge

● 用途与特点

SX型三足式离心机为人工下卸料间歇操作的过滤式离心机：适用于含中、细(固相颗粒0.01 mm)粒状、结晶状悬浮液的分离或短纤维状物料的脱水，广泛用于化工轻工、制药、食品等工业部门。

机型除具有三足式上卸料离心机的传统优点外还具有如下特点：采用下部卸料，不仅减轻了劳动强度，改善了操作条件，而且还可提高生产效率。

采用人工下卸料，可节省刮刀卸料机构，对不允许固相粒子破损的物料分离尤为适合。

与物料相接触的零部件均用不锈钢制造，亦可根据用户要求采用其它材质制造。

● Uses and Characteristics

This is an intermittently man-operated lower discharge filter centrifuge used for separation of suspended liquid which contains solid particles of medium and small sizes (solid phase grain is 0.01mm), separation of crystallized suspended liquid and dewatering of fiber materials. It can be applied to the fields of chemical industry, light industry, pharmaceutical processing as well as food processing.

Apart from the merits of traditional three-foot upper discharge centrifuge this machine has the following characteristics:

The method of lower discharge can not only reduce intensity of labor but also promote working efficiencies.

Man-operated discharge can save the scraping-cutter discharge structure. It is more applicable for materials in which solid particles are not to be destroyed.

All parts touching the materials are made of stainless steel. They can also be made of other material under demand of customers.

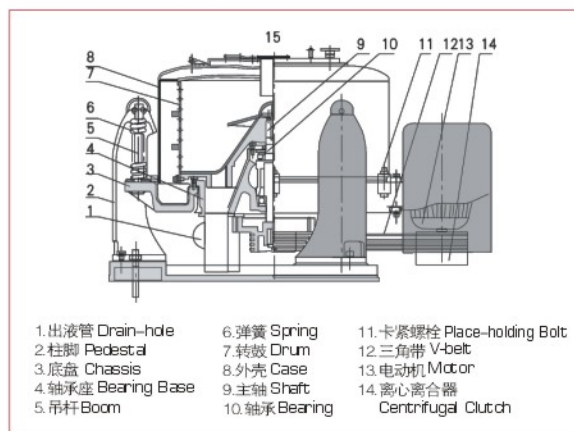
● 结构和工作原理

SX型离心机主要由转鼓、底盘、机壳、机盖、刹车装置、机座、离合器和电机等组成。转鼓通过主轴支承在底盘上，主轴垂直安装于轴承座内，底盘通过柱足上的三根吊杆悬挂支承，柱足通过螺栓与机座联接在一起。机器由电动机通过离合器和皮带传递动力。待处理的悬浮液在离心机全速运转后逐渐加入转鼓内，当滤渣达到额定容积时停止加料，在离心力作用下，悬浮液中的液相经由滤布(或滤网)和转鼓上的滤孔甩到机壳内，停机后由工人从转鼓下部卸出。若有洗涤要求可在分离过程中将洗涤液引入转鼓内洗涤。

● Structure and Working Principle

It is mainly composed of a drum, a chassis, a shell, a hood, a brake, a chassis base, a clutch and a motor etc. The bowl is supported on the straight chassis by a shaft, which is fixed straight inside the bearing base. The chassis base is supported by three hanging booms on the pillar, which is connected to the chassis base by a holding bolt. The machine is started with the power passed through a clutch and a belt. The suspended liquid to be processed is fed into the bowl while the centrifuge rotates. Feeding stops when the filtered solids reach the specified capacity. Under centrifugal force, the liquid phase is thrown to the case through filter cloth (or screen), that is then discharged by hand when the machine stops. If needed for washing cleaning liquid can be added into the bowl in the process of separation.

● SX型离心机结构图 The sketch map of SX Centrifuge



● 型号及主要技术参数 Model and Main Parameters

项目 Item	型号 Model	SX-800	SX-1000	SX-1250
转鼓直径 Drum diameter(mm)		800	1000	1250
转鼓转速 Drum speed (r/min)		1500	1200	1000
转鼓最大分离因素 Maximum separating factor		1007	805	698
转鼓工作容量 Drum capacity(L)		90	140	250
转鼓装料限度 Loading capacity (kg)		135	200	300
电动机型号 Motor type		Y132M-4	Y160M-4	Y180M-4
电动机功率 Motor power (Kw)		7.5	11	11
电动机传动方式 Transmission type		三角带(V-belt)		18.5