

压力容器系列

PRESSURE VESSEL SERIES



赛德力离心机制造专家

SAIDELI CENTRIFUGE MANUFACTURING EXPERTS

www.saideli.com



 **Saideli 赛德力**

江苏赛德力制药机械有限公司
JIANGSU SAIDELI PHARMACEUTICAL
MACHINERY CO.,LTD.

各种压力容器设备

Pressure Vessel Equipment



GF系列浮头式热交换器
GF Series Floating Head Heat Exchanger



化工容器
Chemical Container

设计压力MPa 罐内 ≤ 10 夹套内 ≤ 10

设计温度 $^{\circ}\text{C}$ 罐内 ≤ 400 夹套内 ≤ 400

容器类别 I、II、III类

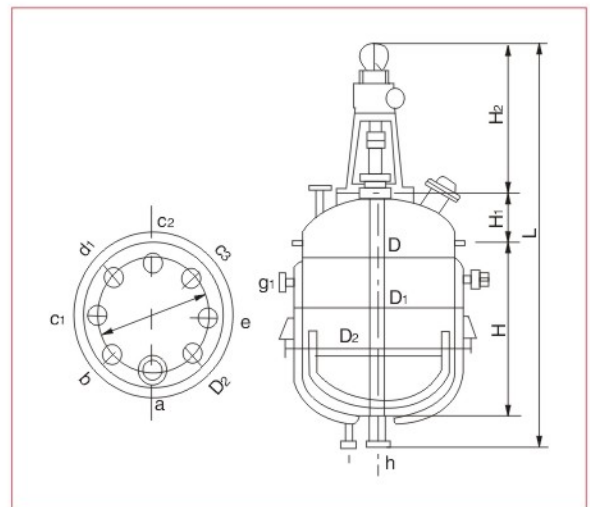
适用易燃介质或毒性程度为中度、极度危害介质，订货须知：

1. 用户所需的工作压力、温度、介质超过本说明书所提供范围时，请在合同中注明，并可为用户代为设计、制造。
2. 如用户所需的减速机及搅拌型式与本说明书所提供的型式不同时，请在合同中注明。
3. 压力表和温度计由用户自配。
4. 2000L以上不锈钢罐均为闭式反应罐。

Design pressure in the tank ≤ 10 in the jacket ≤ 10
design temperature in the tank ≤ 400 in the jacket ≤ 400
the type of vessel: I、II、III

It is suitable for the flammable and harmful media whose poisonous extensive is modest or awful "·". There are some points need to be known for ordering:

1. If working pressure, temperature and media are beyond the range this instruction offered, please make some remarks in contract. We will design or make according to customers' requirement.
2. If the model of speed reducer and stirrer customers need is different from the model this instruction offered please make remarks in the contract.
3. Voltage meter and temperature meter must be equipped by customers themselves.
4. Stainless steel tanks above 2000L are all closed reactor.



● 外型及安装尺寸 Appearance and Installation Size

符号 Symbol	尺寸 Dimension	容积 Volume	50	100	200	300	500	1000	1500	2000	2500	3000
D			500	600	700	800	900	1200	1200	1400	1400	1400
D1			600	700	800	900	1000	1300	1300	1500	1500	1500
D2			728	828	948	1048	1148	1487	1487	1730	1730	1730
D0			350	450	500	550	580	750	750	900	900	900
H			400	500	700	800	1000	1640	1640	1500	1800	2200
H1			165	210	255	290	315	419	419	434	434	434
H2			780	780	780	1010	1010	1137	1137	1137	1137	1137
L			1475	1600	1880	2265	2470	3380	3380	3560	3960	4360

随着科技的进步，我们保留更改的权利 All right is reserved for amendment with improvement of technology



Saideli centrifuge manufacturing experts